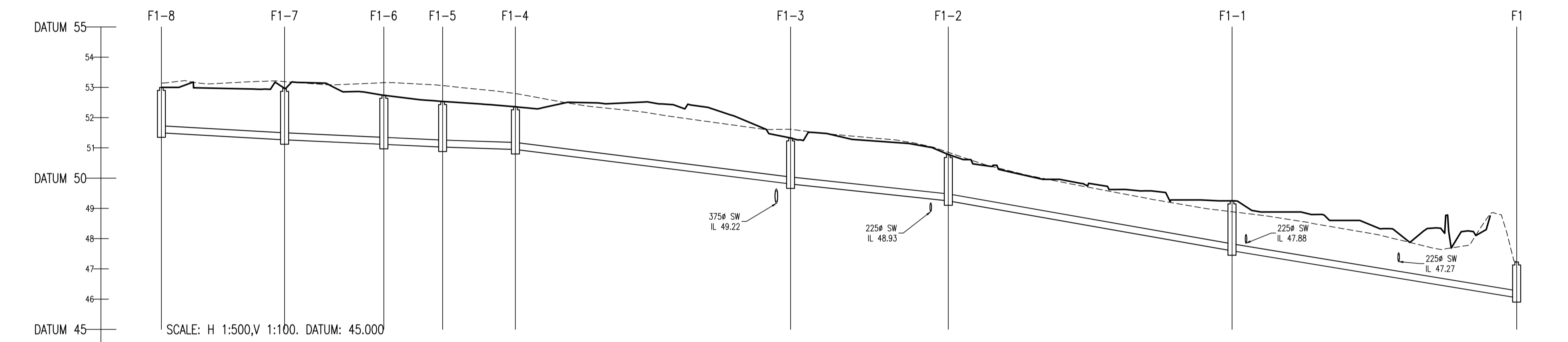
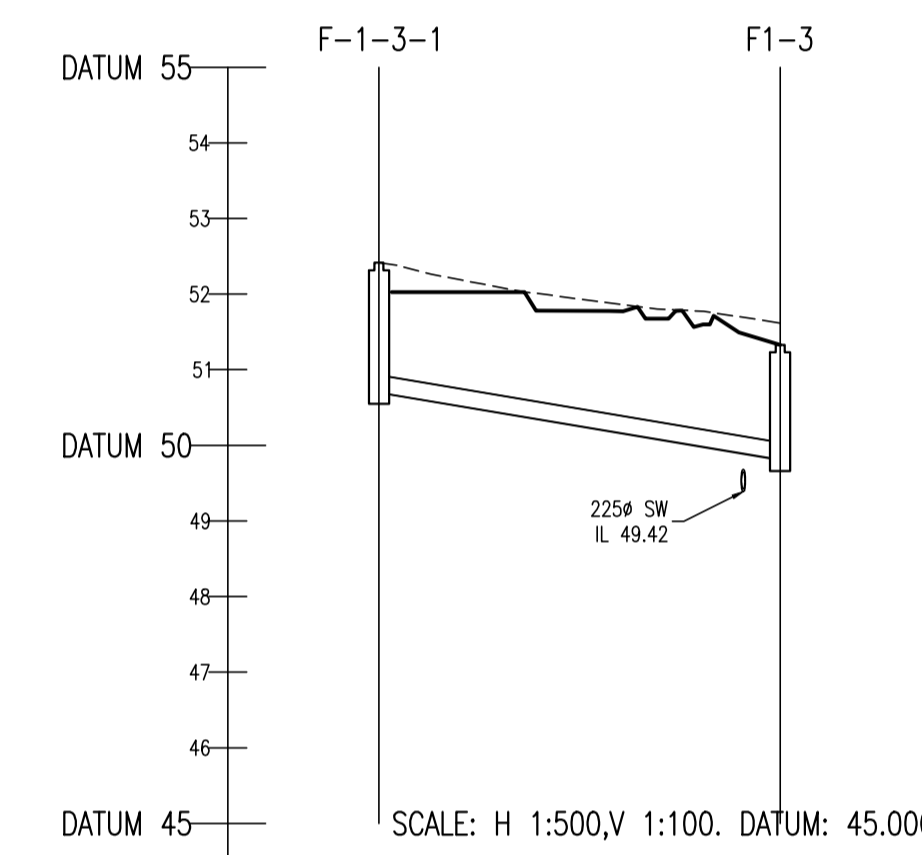


COVER LEVEL	54.325	52.955	52.551	53.198	48.958	48.182	47.227	46.959
INVERT LEVEL	52.550	51.410	51.240	50.950	47.021	46.620	46.050	46.050
DEPTH (m)	1.775	1.545	1.311	4.451	2.937	1.562	1.177	1.909
DISTANCE (m)		25.15	8.45	11.86	51.08	71.80	48.78	41.75
PIPE SLOPE		1:22	1:50	1:16	1:30	1:179	1:86	1:42
PIPE SIZE		225mm	225mm	225mm	225mm	225mm	225mm	225mm

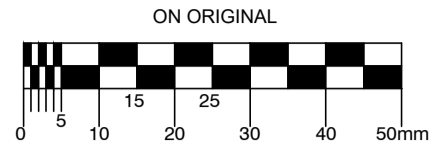


COVER LEVEL	53.000	52.970	52.741	52.534	52.360	51.329	50.781	49.249	47.227
INVERT LEVEL	51.500	51.270	51.120	51.030	50.850	49.810	49.250	47.600	46.050
DEPTH (m)	1.500	1.700	1.621	1.504	1.410	1.519	1.531	1.649	1.177
DISTANCE (m)		20.35	16.41	9.71	12.03	45.46	26.06	46.87	47.03
PIPE SLOPE		1:88	1:109	1:108	1:150	1:40	1:47	1:28	1:30
PIPE SIZE		225mm	225mm	225mm	225mm	225mm	225mm	225mm	225mm



COVER LEVEL	52.416	51.329
INVERT LEVEL	50.700	49.810
DEPTH (m)	1.716	1.519
DISTANCE (m)	26.53	
PIPE SLOPE	1:30	
PIPE SIZE	225mm	

© COPYRIGHT OF THIS DRAWING IS RESERVED BY DBFL CONSULTING ENGINEERS. NO PART SHALL BE REPRODUCED OR TRANSMITTED WITHOUT THEIR WRITTEN PERMISSION.



- NOTES:
- ALL DRAWINGS TO BE CHECKED BY CONTRACTOR ON SITE AND ENGINEER INFORMED OF DISCREPANCIES BEFORE WORK COMMENCES
 - ALL LEVELS ARE IN METRES AND ARE RELATED TO ORDNANCE DATUM
 - CONTRACTOR SHALL SATISFY HIMSELF AS TO THE ACCURACY OF PAVEMENT LEVELS ON SITE PRIOR TO COMMENCEMENT OF WORKS ON SITE
 - ALL WORKS TO BE CONSTRUCTED IN ACCORDANCE WITH THE NRA SPECIFICATION FOR ROAD WORKS UNLESS NOTED OTHERWISE
 - THIS DRAWING IS FOR PLANNING PURPOSES ONLY
 - MANHOLE COVER LEVELS ARE TO CONFORM WITH FINISHED ROAD AND PATH LEVELS
 - WHERE COVER TO PIPE IS LESS THAN 1200mm (ROAD/PATH/VERGE) OR 900mm (OPEN SPACE) SURROUND PIPE IN MINIMUM 150mm CONCRETE

KEY
 - - - - - EXISTING GROUND PROFILE
 _____ PROPOSED GROUND PROFILE

ORDNANCE SURVEY IRELAND LICENCE
 No EN 0017917
 © ORDNANCE SURVEY IRELAND
 GOVERNMENT OF IRELAND

P1	03-12-19	FOR ABP APPLICATION	JVS	BK
REV.	DATE	DESCRIPTION	BY	CHKD.
PLANNING				
DESIGNED	SPB	PREPARED	JVS	
DATE	OCT 2019	CHECKED	BK	

DBFL Consulting Engineers
 Dublin Office: Ormond House, Upper Ormond Quay, Dublin 7, Ireland. Phone: +353 1 400 4000 Fax: +353 1 400 4050
 Waterford Office: Unit 2, The Chandlery, 1-2 O'Connell Street, Waterford, Ireland. Phone: +353 51 339 550 Fax: +353 51 844 913
 Email: info@dbfl.ie Website: www.dbfl.ie

PROJECT
PROPOSED DEVELOPMENT AT CORNELSCOURT

DRG. TITLE
LONGITUDINAL SECTIONS THROUGH FOUL SEWER

CLIENT
CORNEL LIVING LIMITED

SCALE	AS SHOWN @A1	FILE REF.	180208-DBFL-XX-XX-DR-C-3020
DRG. NO.	180208-DBFL-XX-XX-DR-C-3020		P1